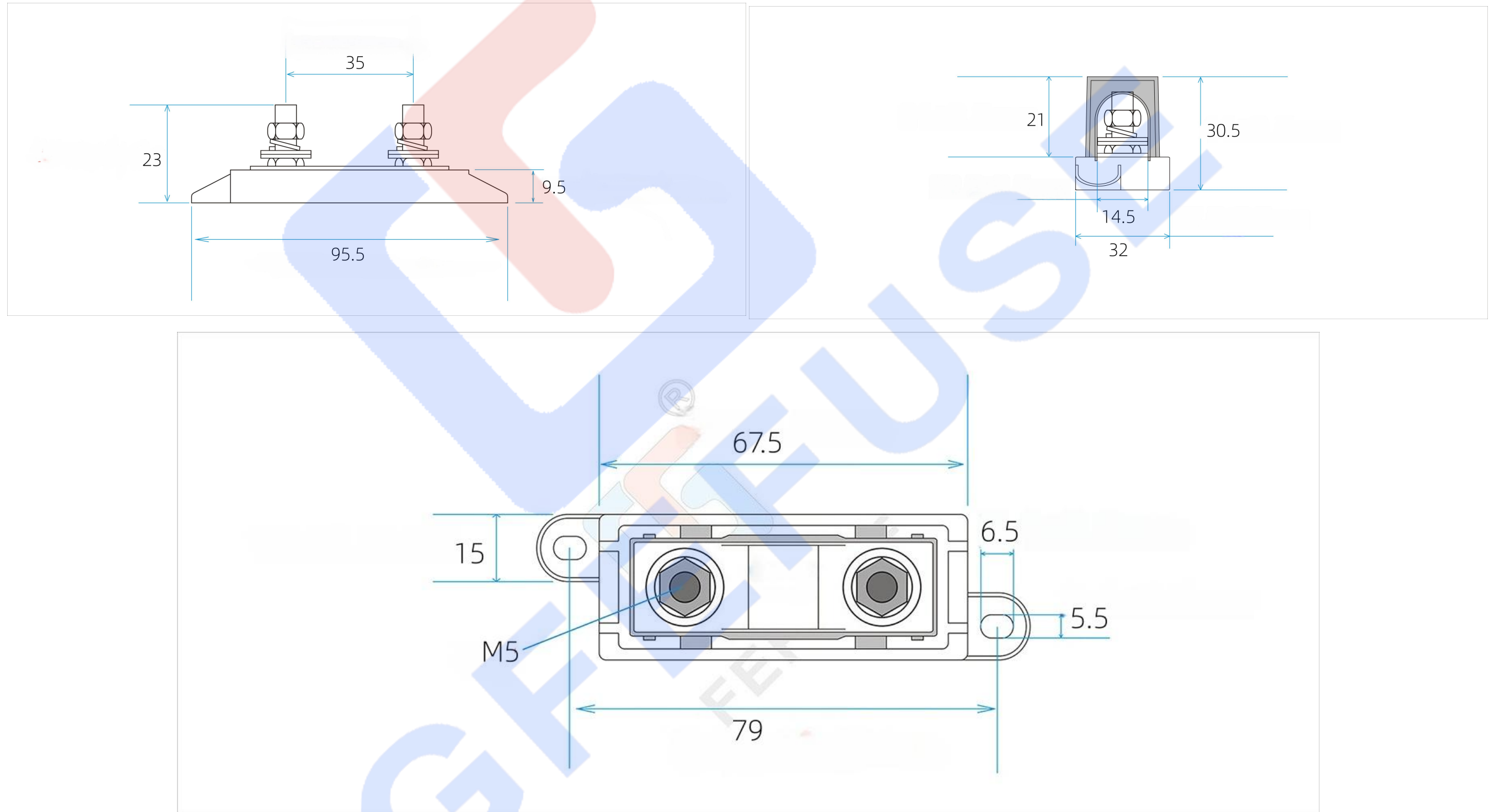


### GFEV<sup>®</sup> (C125) Bolt-on Fuse holder

#### 1. Product Dimensions



## 2. Product introduction

- 1. Product model; GFEV<sup>®</sup> ( C125 ) Bolt-on Fuse holder
- 2. Base: PPS UL-94V0
- 3. Top cover: PC
- 4. Fasteners: High-strength bolt M5 304 stainless steel material
- 5. The product is heat-resistant, with a normal operating temperature range of -40°C to +180°C degrees Celsius
- 6. Electrical Performance
  - 1. Voltage: 250V AC and 125V, 150V, 175V DC
  - 2. Current: 50A-350A (DC) (Note: The terminals and wires are matched according to different currents.)
- 7. Applicability: GFEFUSE<sup>®</sup> Brand (ANL-C<sup>®</sup> 125SF35 Series Bolt-on Fuse And Ess Fuse)
- 8. Applications: Automobiles, batteries, new energy vehicles, power supplies, chargers, electric cakes, storage equipment, base stations, communication equipment, ships, yachts, and aircraft, for retail and system protection setups.

**Tips: Dimension changes are not notified**